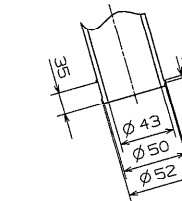
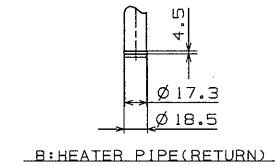
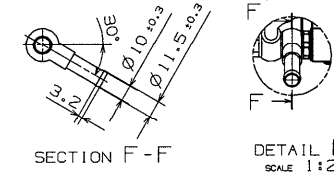
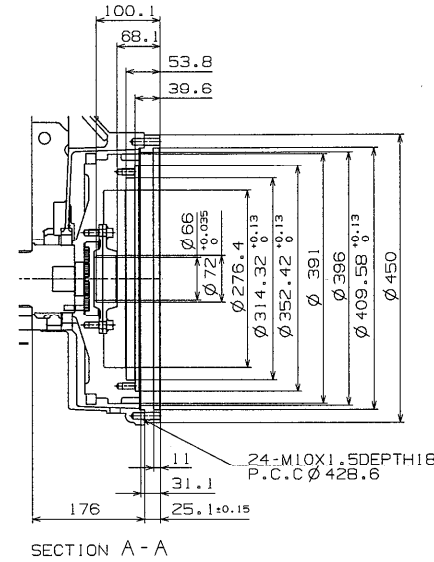
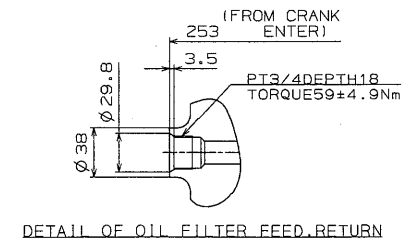
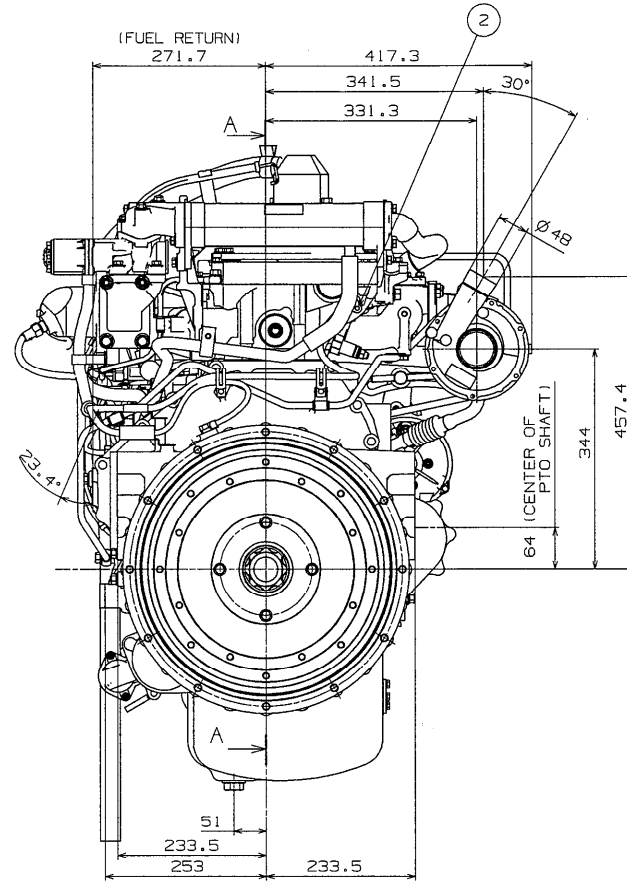
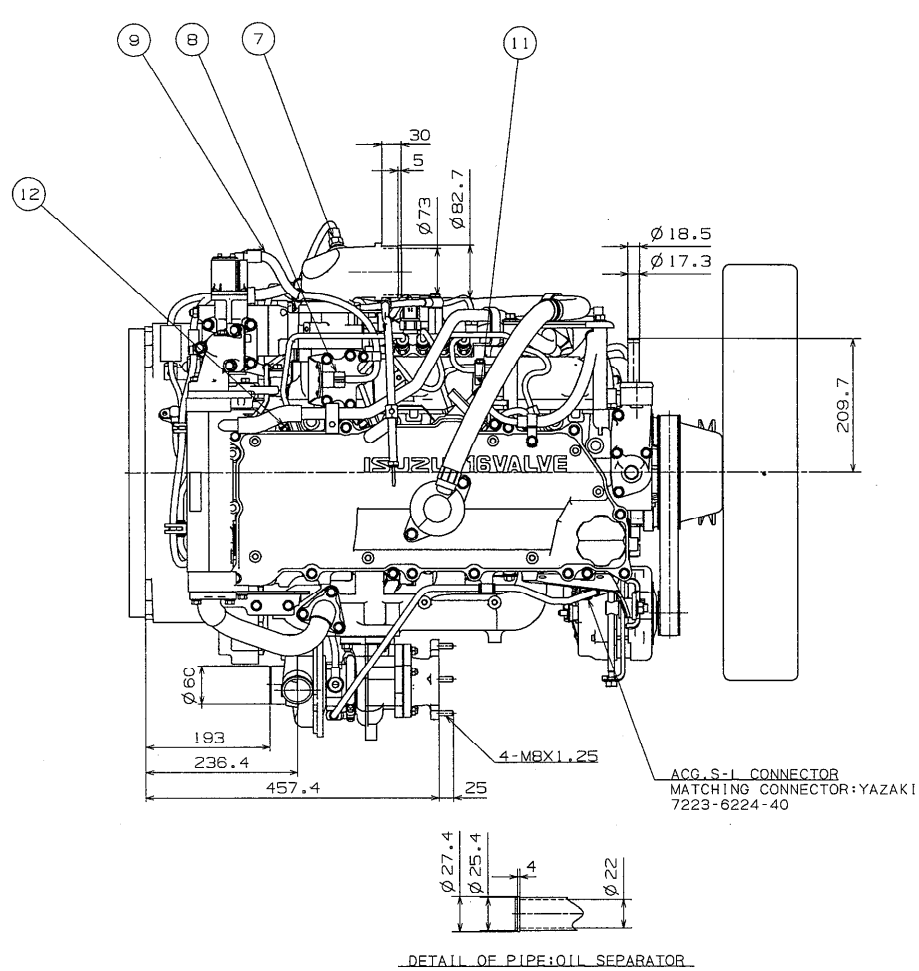


ISUZU 4HK1X DIESEL ENGINE AH-4HK1XYBW-02

General Power (12V)

ISUZU MOTORS LIMITED	DATE '07.10.10
OFF-HIGHWAY POWER TRAIN DEPT.	①
DRW.No E4-1033-028-0	②
4H_LASM/OEM_GOMENZU	



SENSOR LIST: ENGINE SIDE

No.	PART-NAME
①	NE Sensor (CRANK)
②	G Sensor (CAM)
③	COOLANT TEMP. Sensor
④	FUEL TEMP. Sensor
⑤	OIL Press. Sensor
⑥	RAIL Press. Sensor
⑦	BOOST TEMP. Sensor
⑧	BOOST Press. Sensor
⑨	EGR VALVE
⑩	SUPPLY PUMP
⑪	INJECTOR
⑫	GLOW PLUG
⑬	OVER HEAT SW.

